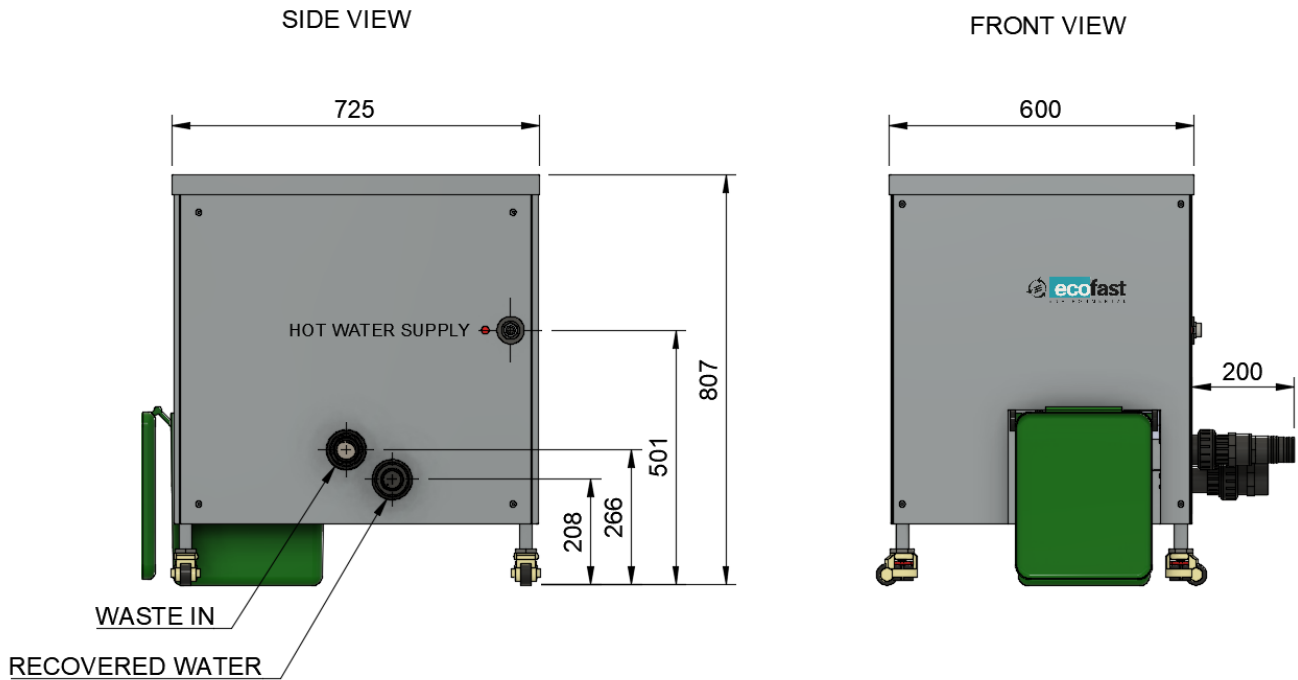


### Model # - D600 Mini Dewaterer



D600 – Mini Dewaterer	(DxWxH)
Dewaterer Dimensions (mm)	725x600x807
Water connections – 1 x Hot water for cleaning system only	15mm with ¾ standard hose connections
Water Consumption (flow rate) <b>Hot Water</b>	3 litres per cleaning cycle
Water connection height (mm)	501
Discharge height (mm)	208
Discharge size (mm & inches)	50 / 2"
Capacity (Food Waste) per minute / hour (kg)	13 / 800
Weight (kg)	128
Decibels (dB)	63-70
Electrical Phase	3
Motor voltage (v)	380-415
Motor frequency (Hz)	50
Motor kilowatt (kW)	1.85
Amps	16
Electrical Connection	Flying leads to be hard wired to site connection
Can be connected to	D390, D450
Bin Capacity	24 litres

Version V1.2

