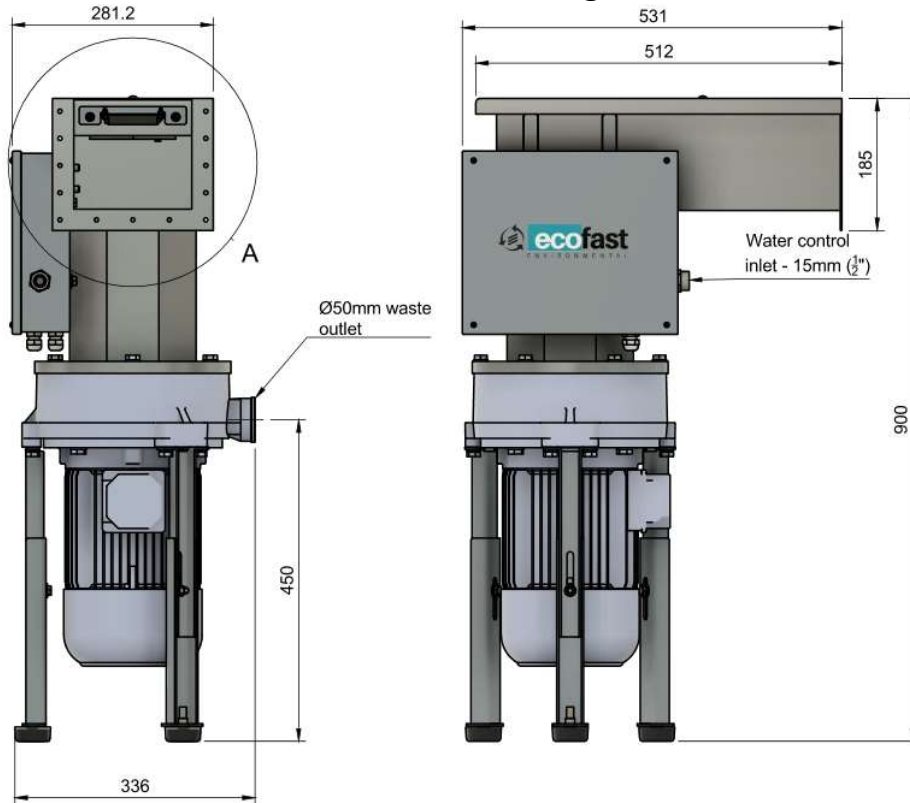


### Model # - D391 Double Trough Macerator



D390 – Remote Dewaterer - Mark III Food Waste Dehydra	(DxWxH)
	543x416x900
Water connections – 1 x Cold water	15mm with ¾ standard hose connections with 3 bar pressure
Water Consumption (flow rate) <b>Cold Water</b> <b>Water flow dependant on the location of the dewatering unit.</b>	10-15 litres per minute
Air-break not supplied as standard	n/a
Water connection height (mm)	645
Discharge height (mm)	450
Discharge size (mm & inches)	50 / 2"
Capacity (Food Waste) per hour (kg)	800
Weight (kg)	70
Decibels (dB) – dependant on food processed	72-84
Electrical Phase	3
Motor voltage (v)	380-415
Motor frequency (Hz)	50
Motor kilowatt (kW)	2.2
Amps	16
Options	Cutlery saver
Electrical Connection	Power cables to be connected to the Ecofast control system
Can be connected to	D600, D610, T400

Version V1.2

